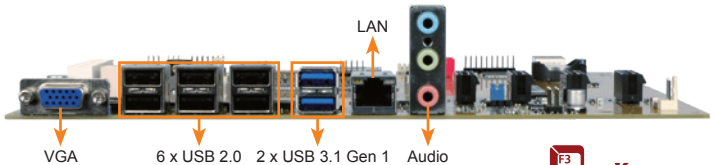
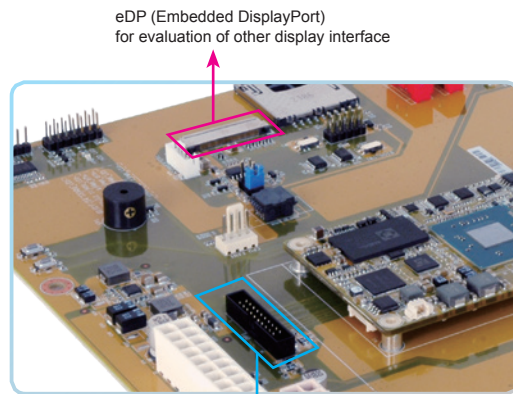
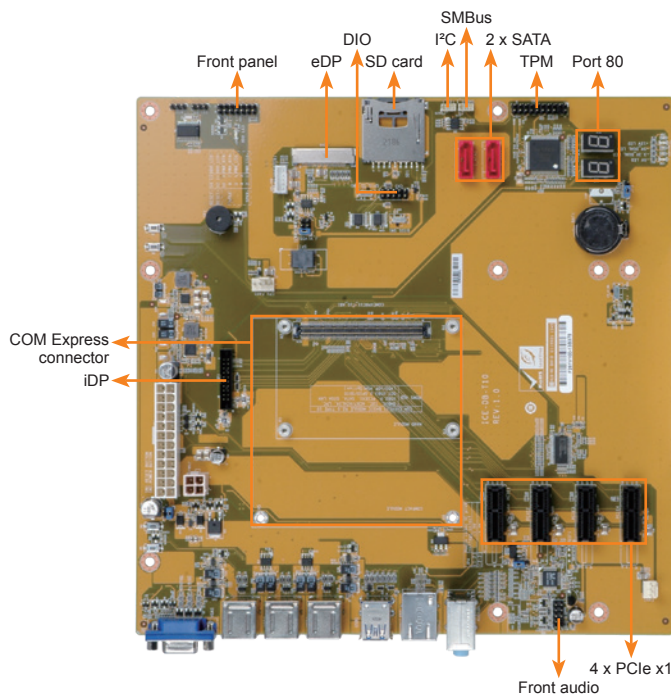


TYPE 10

# ICE-DB-T10

Baseboard for COM Express Type 10 Module COM.0 Rev. 2.1, support PICMG EAPI R1.0



## Specifications

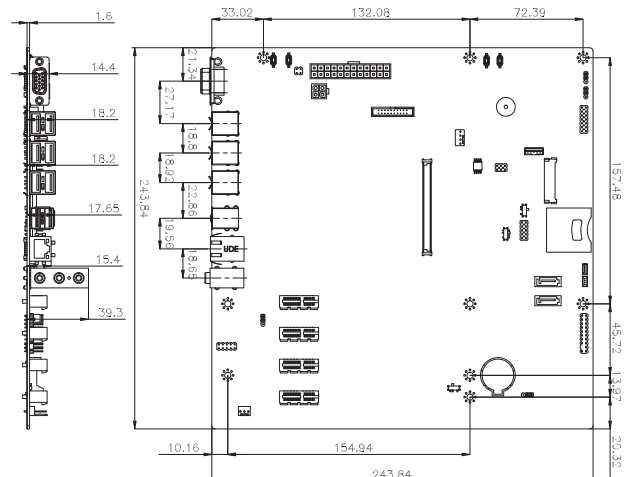
- ◆ Form Factor: microATX form factor baseboard (244mm x 244mm)
- ◆ COM Express type: Supports COM Express Compact/Mini module using connector pin out Type 10
- ◆ Display Interfaces:
  - 1 x eDP
  - 1 x VGA
  - 1 x DisplayPort pin-header
- ◆ Audio: Realtek ALC662 HD Audio codec (Line-in, Line-out, Mic)
- ◆ Internal I/O Interface:
  - 4 x PCIe x1
  - 2 x SATA port
  - 2 x RS-232 from COM Express (only TX, RX, GND)
  - 1 x LPC
  - 1 x SD card socket
- ◆ External I/O Interface:
  - 1 x VGA
  - 2 x USB 3.1 Gen 1 (5Gb/s)
  - 1 x RJ-45
  - 1 x Audio jack (Line-in, Line-out, Mic)
  - 6 x USB 2.0
- ◆ Front Audio:
  - 1 x Front audio (2x5 pin)
- ◆ TPM: 1 x TPM connector (2x10 pin)
- ◆ 80 Port: 1 x 80 port (2x7 segment display)
- ◆ Front Panel: 1 x Front panel (2x7 pin, power LED, HDD LED, speaker(Buzzer), power button, reset button)
- ◆ I²C: 1 x I²C (1x4 pin)
- ◆ SMBus: 1 x SMBus (1x4 pin)
- ◆ Internal Storage: EEPROM (support EAPI R1.0)
- ◆ LPC: 1 x LPC
- ◆ Fan Connector: 1 x 4-pin / 1 x 3 pin CPU module fan connector
- ◆ Watchdog Timer: Software programmable, support 1~255 sec. system reset
- ◆ Power Supply: ATX / AT power supply 24+4 pin
- ◆ Operating Temperature: -20°C ~ 60°C
- ◆ Storage Temperature: -30°C ~ 70°C
- ◆ Operating Humidity: 5% ~ 95%, non-condensing
- ◆ Dimensions: 243.8 mm x 243.8 mm (9.6" x 9.6")
- ◆ Weight: GW:550g / NW:350g
- ◆ CE/FCC compliant



## Features

- microATX form factor baseboard for COM.0 Rev. 2.1, Pin-out Type 10
- Support four PCIe x1
- Support eDP, VGA and iDP
- Support PICMG EAPI R1.0

## Dimensions (Unit: mm)



## Packing List

1 x COM Express Baseboard	1 x SATA cable
1 x Mini jumper pack	1 x QIG

## Ordering Information

Part No.	Description
ICE-DB-T10-R10	Baseboard for COM Express Type 10 Module COM.0 Rev. 2.1, support PICMG EAPI R1.0
19800-000082-RS	RS-232/422/485 cable, 14-pin to dual DB-9, 230mm, P=2.54
32102-000100-200-RS	SATA power cable, MOLEX 5264-4P to SATA15P